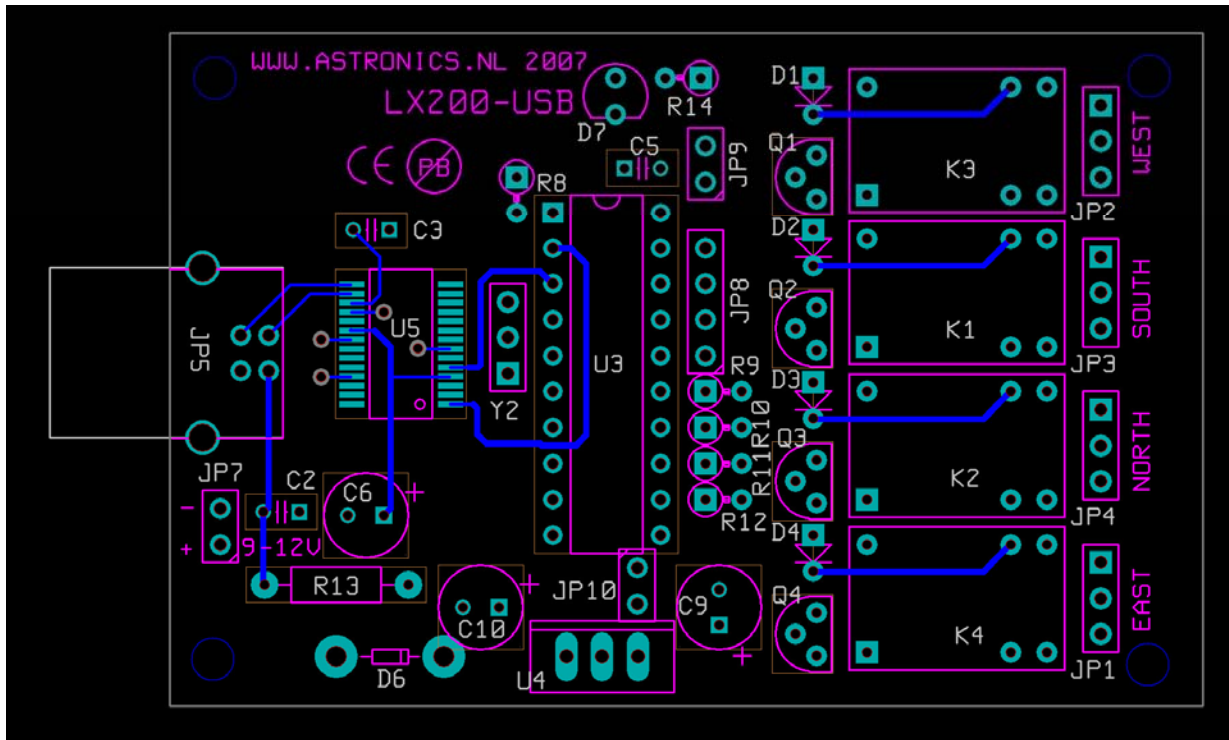


Component list for NEW LX200-USB interface



C2	10N ceramic 2.5mm (103)	K1	PCB-RELAY
C3	100N ceramic 2.5mm (104)	K2	PCB-RELAY
C5	100N ceramic 2.5mm (104)	K3	PCB-RELAY
C6	4u7 35V electrolytic 2.5mm	K4	PCB-RELAY
C9	1u 16V electrolytic 2.5mm	Q1	BC547c
C10	1u 16V electrolytic 2.5mm	Q2	BC847c
D1	IN4148	Q3	BC847c
D2	IN4148	Q4	BC847c
D3	IN4148	U3	AT90S2313 programmed
D4	IN4148	U4	7805
D7	LED red 3mm	U5	FT232RL (SMD)
D6	1N4001	R8	10K (brown black orange gold)
JP1	HEADER_3 pins	R9	470R (yellow purple brown gold)
JP2	HEADER_3 pins	R10	470R (yellow purple brown gold)
JP3	HEADER_3 pins	R11	470R (yellow purple brown gold)
JP4	HEADER_3 pins	R12	470R (yellow purple brown gold)
JP5	HEADER_4 USB type B	R13	Ferrite Bead
JP7	HEADER_2 pins	R14	470R (yellow purple brown gold)
JP8	Do Not Place	Y2	4MHz Resonator
JP10	Do Not Place	JP9	Do Not place

Copyright 2006 ASTRONICS / Techno Plus

**The USB interface can be powered from the USB port!
But only if you do not use the focus option.**

If you also connect the focus board and connect the interface to your computer, you may damage your computer!

To be able to use this interface powered by the USB bus, just do not mount:

U4 - 7805, C9, C10, D6, JP7

Now you only have to solder a piece of wire between the pins of JP10 to power the relays from the USB port.

Never connect external power to an interface that is powered from USB or you may damage the interface or your computer! Experimenting with this option is at your own risk!